

IP65 Joystick Switch, 2 axes, 10 mA@ 15 V Flying Lead, -25 → +55°C

RS Stock No. **467-9048**

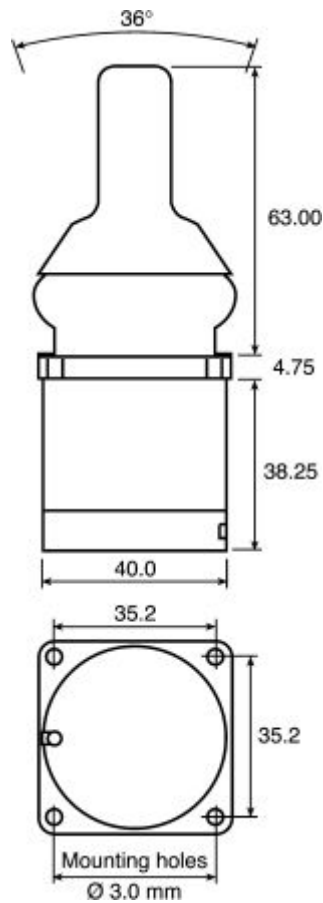
Brand APEM

Mfr Part No. **700-143**



Product Details

Inductive Dual Decode Joystick



Joysticks

Specifications

Still not found what you are looking for?

<input type="checkbox"/>	Maximum Operating Temperature	+55°C
<input type="checkbox"/>	Minimum Operating Temperature	-25°C
<input type="checkbox"/>	Mechanical Life	10000000Operations
<input type="checkbox"/>	Brand	Apem
<input type="checkbox"/>	Contact Current Rating	10 mA@ 15 V
<input type="checkbox"/>	Operating Temperature Range	-25 → +55°C
<input type="checkbox"/>	Switch Technology	Potentiometric
<input type="checkbox"/>	IP Rating	IP65
<input type="checkbox"/>	Number of Axes	2
<input type="checkbox"/>	Handle Type	Knob
<input type="checkbox"/>	Terminal Type	Flying Lead
<input type="checkbox"/>	Depth Behind Panel	38.25mm
<input type="checkbox"/>	Joystick Travel	±18 °
<input type="checkbox"/>	Handle Height	63mm

Select all

Find alternative products